

Solaronics®

Residential Garage Heater



APPLICATIONS*

- Home Garages ● Workshops
- Hobby Areas ● Entryways ● Clubhouses
- Farm Buildings ● Machine Shops

* Not for Indoor Living or Sleeping Areas

Enjoy the Comfort of Warm, Radiant Heat
in Your Garage, Workshop, Entryway and Other
Hard-to-Heat Spaces

Save up to **50%**
In Energy Costs

Solaronics Residential Garage Heaters pack a powerful amount of radiant energy into a compact, fuel efficient, stand-alone heater that will keep your garage or workshop comfortable all winter long. Powered by Natural gas or LP/Propane, its compact size, safe, quiet operation and easy installation also makes it an ideal source of radiant heat for use in a wide variety of hard-to-heat spaces.

Get the heat down where it counts

The Residential Garage Heater utilizes a highly polished 'Brite' aluminum reflector that may be rotated from 0° to 30° to direct the heat where needed to warm people, floors and work surfaces. Heat is absorbed by these surfaces and re-radiated back to warm the surrounding area by conduction and convection, similar to the sun's rays warming the earth.

High comfort ... Low cost

Experience for yourself the enjoyment of improved comfort levels plus annual fuel savings of up to 50% over conventional warm air units.



Drive home to the most comfortable parking spot. Heat your garage, workshop, or other hard-to-heat spaces with the affordable Solaronics Residential Garage Heater.

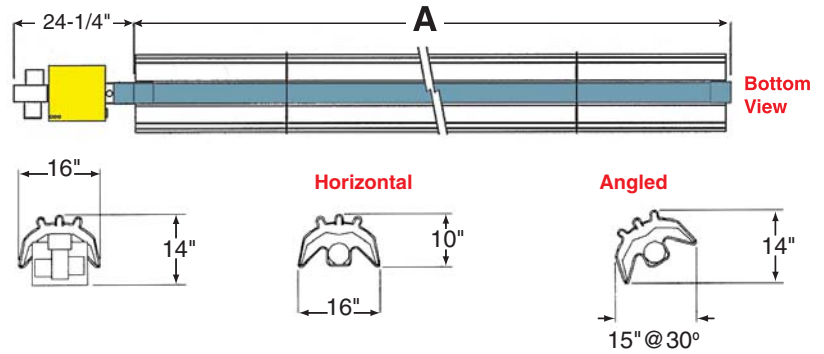
FEATURES

- Compact size to fit a wide variety of hard-to-heat spaces
- Fuel efficient operation: Choice of Natural gas or LP/propane models
- Simple chain mounting
- Corrosion resistant heat exchanger tube assures long system life
- 'Brite' aluminum rotatable reflector for even heat dispersion
- Durable direct spark ignition – 100% safety shut-off
- CSA International design certified to ANSI/CGA standards

Solaronics Residential Garage Heater

STRAIGHT

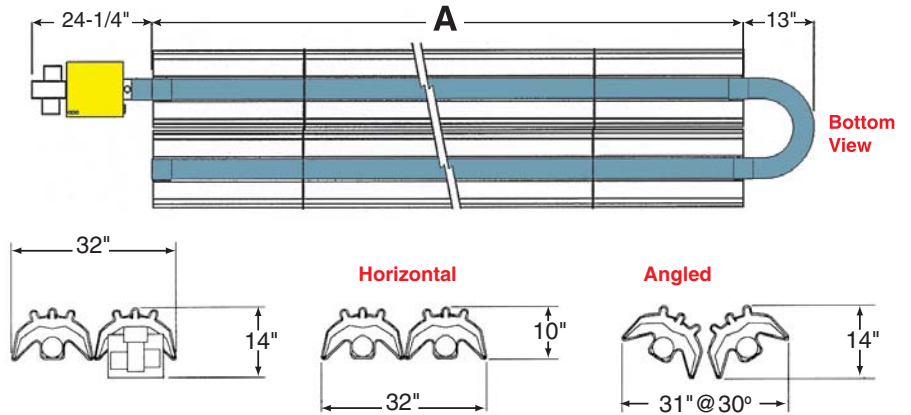
MODEL	MBTUH	LENGTH "A" MIN.*	LENGTH "A" MAX.*	SHIP WT. (lbs.)
RHS	40	10'	14' 9"	75-90
RHS	45	19' 9"	19' 9"	110
RHS	50	19' 9"	19' 9"	110
RHS	55	19' 9"	19' 9"	110
RHS	60	19' 9"	19' 9"	110



U-TUBE

MODEL	MBTUH	LENGTH "A"	SHIP WT. (lbs.)
RHU	40	10'	90
RHU	45	10'	110
RHU	50	10'	110
RHU	55	10'	110
RHU	60	10'	110

*5' or 10' lengths as required



System Information

Manifold Operating Pressure

Natural Gas & LP/Propane: 3.5" WC

Minimum Inlet Pressure

Natural Gas: 6" WC
 LP/Propane: 11" WC
 1/2" FPT Gas Inlet

Electrical Rating: 120VAC-60Hz-1 Phase

Warranty

2 year limited warranty on all controls
 5 year limited warranty on all tubing
 10 year limited warranty on burner core

Safety

The Solaronics Residential Garage Heater will provide safe, reliable comfort heating when operated in accordance with the manufacturer's printed instructions for installation, operation and cleaning. For your safety, installation and service must be performed by a licensed contractor and conform to local codes. Also, adequate ventilation must always be provided according to codes. Do not store gasoline or other combustibles in the vicinity of the heater. Keep children, draperies and garments away from the heater. Do not touch the heater or tubes during operation.

Clearances to Combustibles

FOR ALL HEATERS		FOR 0° TO 30° ANGLE		
TOP OF REFLECTOR	12 inches	REFLECTOR WIDTH = 15.75 IN.		
END OF BURNER	12 inches			
END OF U-BEND	50 inches			
SERIES	MBTUH	FRONT	REAR	BELOW
RH	40 45 50	24"	24"	40"
	55 60	24"	24"	50"
Minimum mounting height: Bottom of tube to floor: 8 ft. U.S.A.; 7 ft. Canada				

Solaronics

Gas INFRARED Heaters



704 Woodward Avenue, Rochester, MI 48307
 PHONE: 1-800-223-5335 FAX: 1-248-651-0357
 E-MAIL SOLARONICS, INC.: sales@solaronicsusa.com

See Us On The Internet - WEB SITES

SOLARONICS, INC.: www.solaronicsusa.com
 THOMAS REGISTER: www.thomasregister.com/solaronicsusa